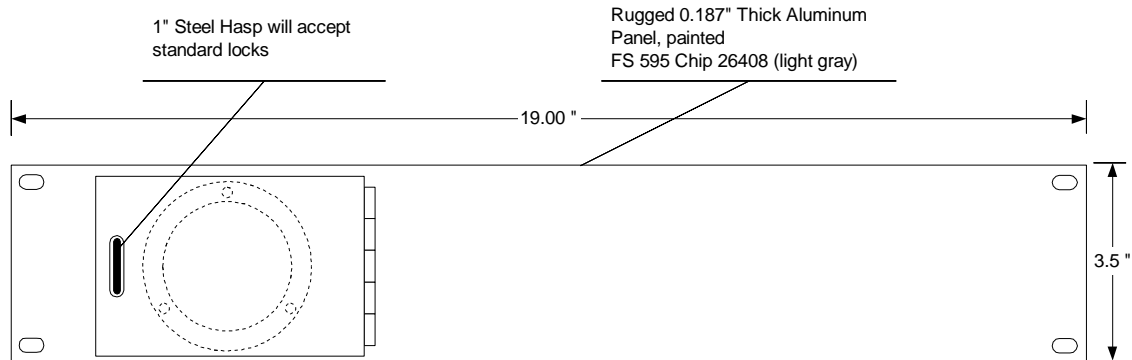


AC General Lockout and I/O Panels

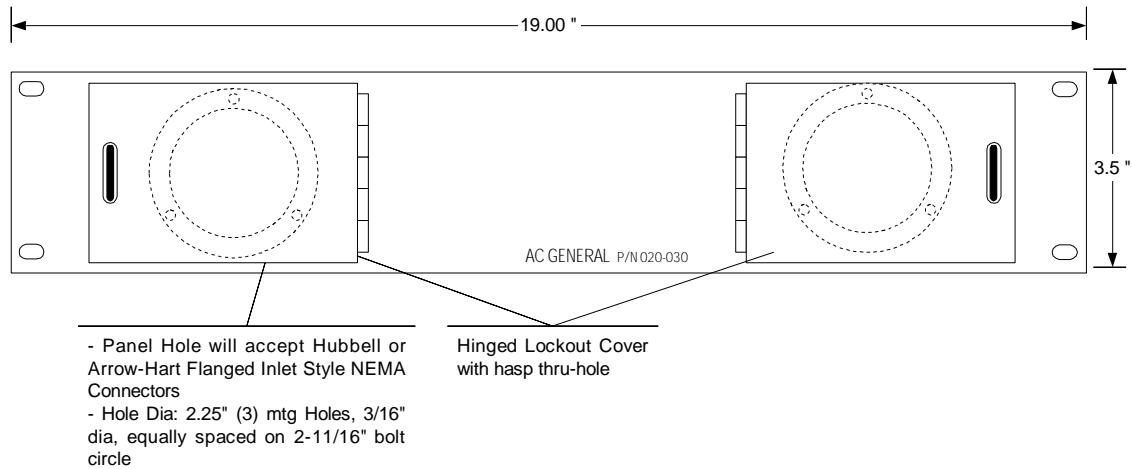
P/N 020-029

Three Phase Connector Lockout Panel



P/N 020-030

Dual Three Phase Connector Lockout Panel

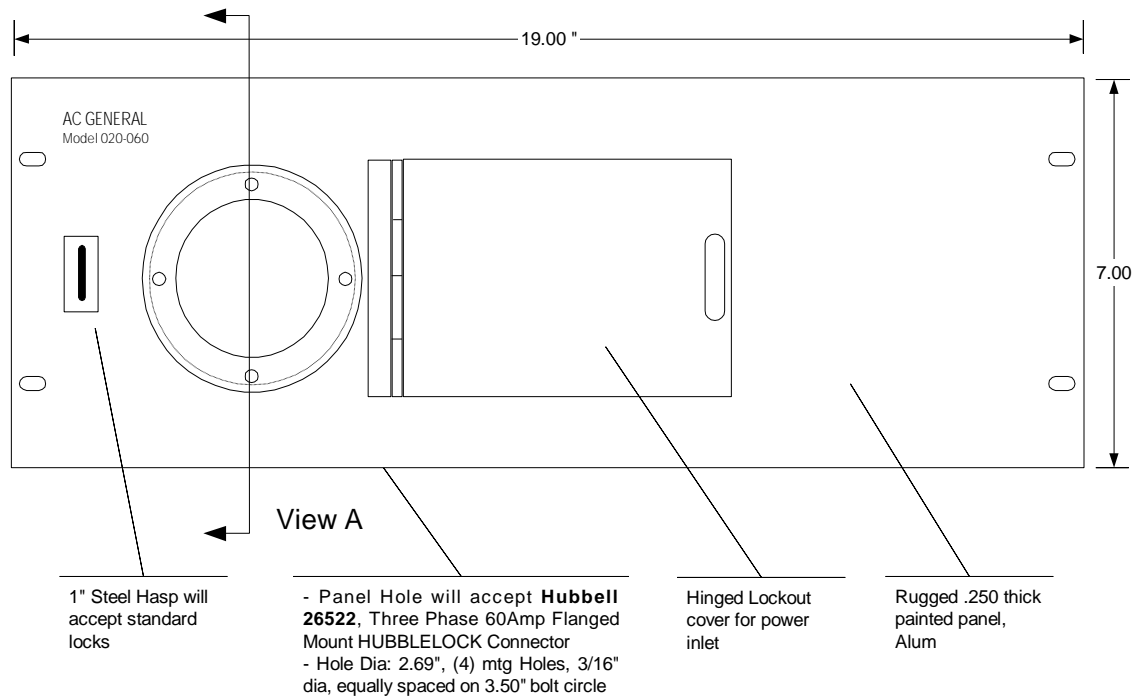


- q Either Panel will accept the following NEMA Flanged Inlet connector:
 - q 20A: NEMA L14 thru L23-20P
 - q 30A: NEMA L14 thru L23-30P
- q Solid Painted Aluminum panel, 3/16" Thickness
- q Hinged cover(s) fold completely out of the way when connector is inserted
- q Will accept standard Electrician lock (not included)

AC General Lockout and I/O Panels

P/N 020-060

60A Three Phase AC Lockout Panel

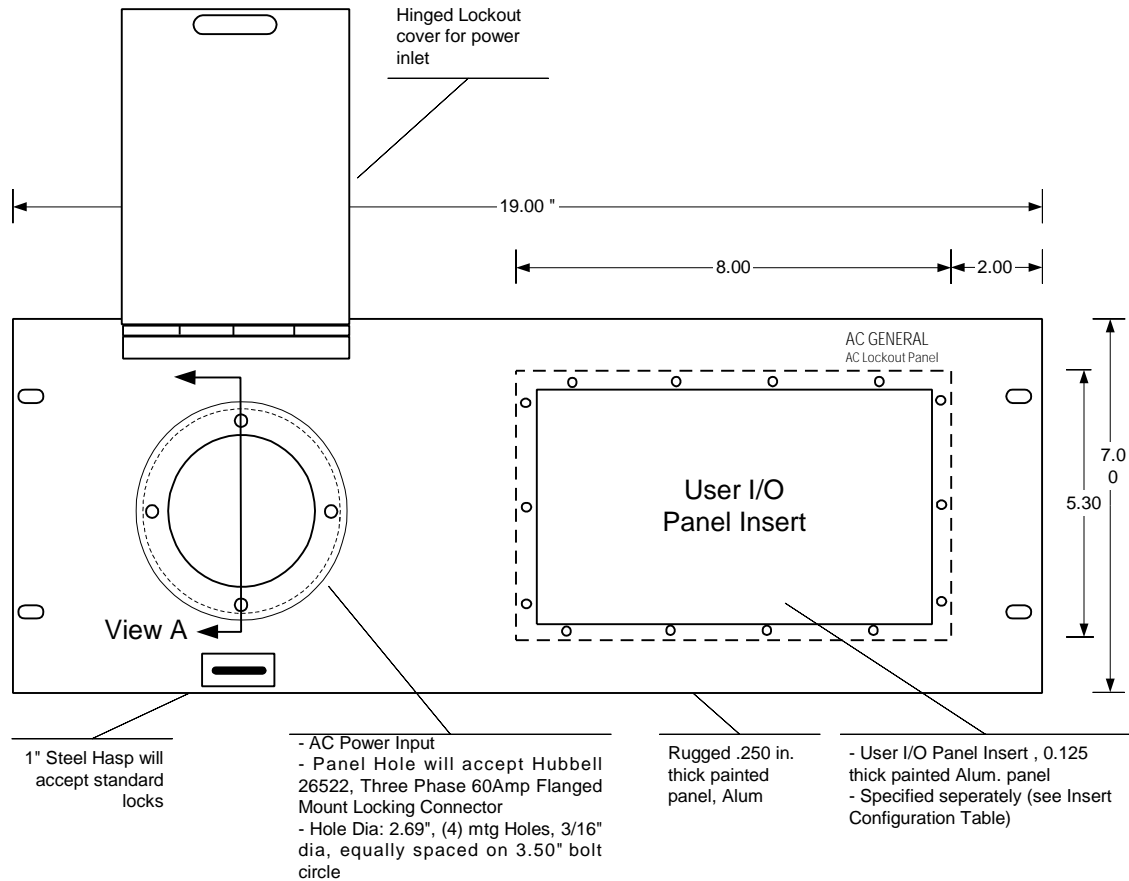


- q Designed for one Three Phase 60 Amp Hubbell Power Input Connector
- q HUBBELLOCK™ P/N 26522
- q Mating connector- P/N 26516
- q Solid Painted Aluminum panel, 0.25" Thickness
- q Will not bend under strain of power cord weight
- q Hinged cover folds completely out of the way when connector is inserted
- q Will accept standard Electrician lock (not included)

AC General Lockout and I/O Panels

P/N 020-065

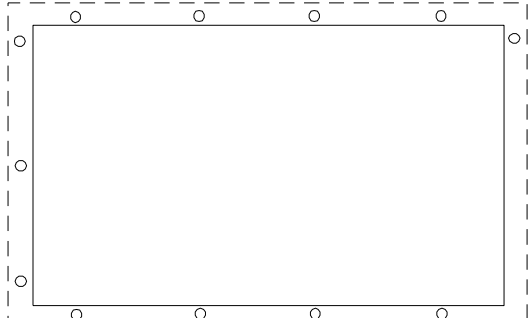
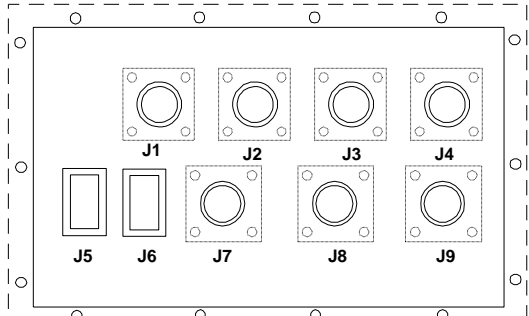
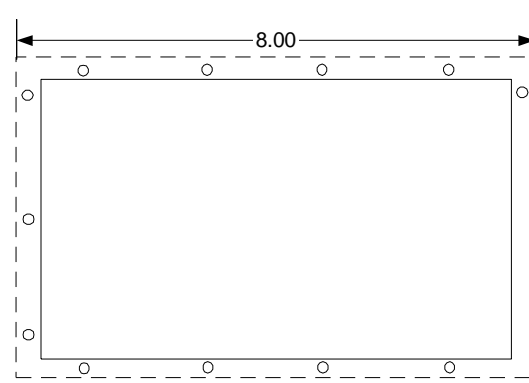
60A Three Phase AC Lockout Panel



- q Designed for Custom I/O and one Three Phase 60 Amp Hubbell Power Input Connector
 - q HUBBELLOCK™ P/N 26522
 - q Mating connector- P/N 26516
- q I/O Insert Panel designed for IEEE-488, Ethernet, Fiber Optic, or MIL style connectors
 - q hole cutouts specified by Customer
- q Solid Painted Aluminum panel, 0.25" Thickness
 - q Will not bend under strain of power cord weight
- q Hinged cover folds completely out of the way when connector is inserted
- q Will accept standard Electrician lock (not included)
- q Panel Insert ordered separately (see Panel Insert Table)

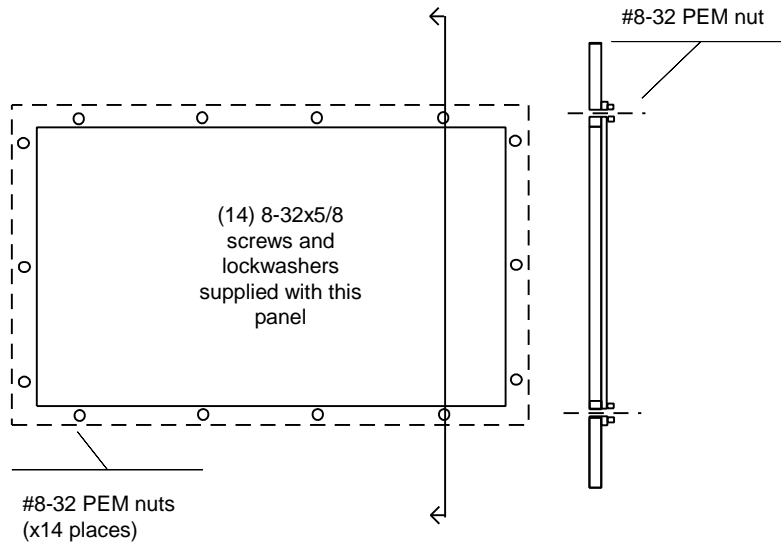
AC General Lockout and I/O Panels

P/N 020-065 Panel Insert Table

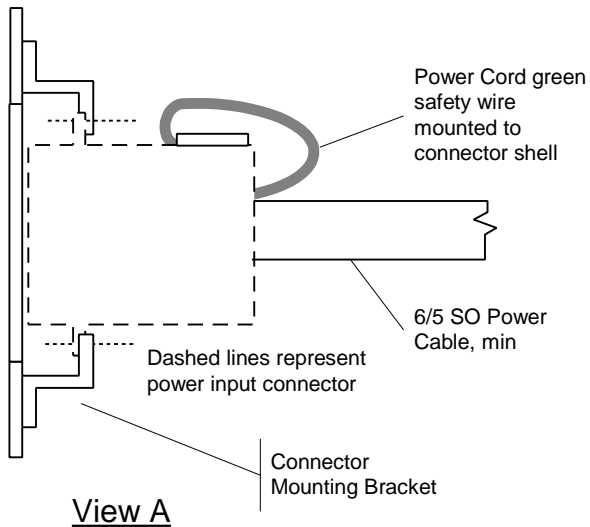
Connector/Marking Layout	Part Number	Description
	040-191-1	Blank Panel
	040-191-2	Example layout of an existing part showing connector layout possibilities
	040-191-x	Design your own layout Call AC General to discuss your unique requirements

AC General Lockout and I/O Panels

P/N 020-065 Insert Panel Mounting



P/N 020-060/065 Input Power Connector Mounting (View A)



Mounting Instructions

- 1- Remove Mounting Bracket from the Inlet Panel
- 2- Disassemble the Hubbell Inlet connector
- 3- Slide power cable through the bracket center hole and through the connector shell
- 4- Install the power cable wires to connector body, observing phase numbering (0.5" wire strip length, 0.25" Hex screw, tightened to 75 pound-inches)
- 5- connect green safety ground wire to the outer connector shell ground screw plate
- 6- Mount the connector to the mounting bracket and reattach to the Lockout Panel