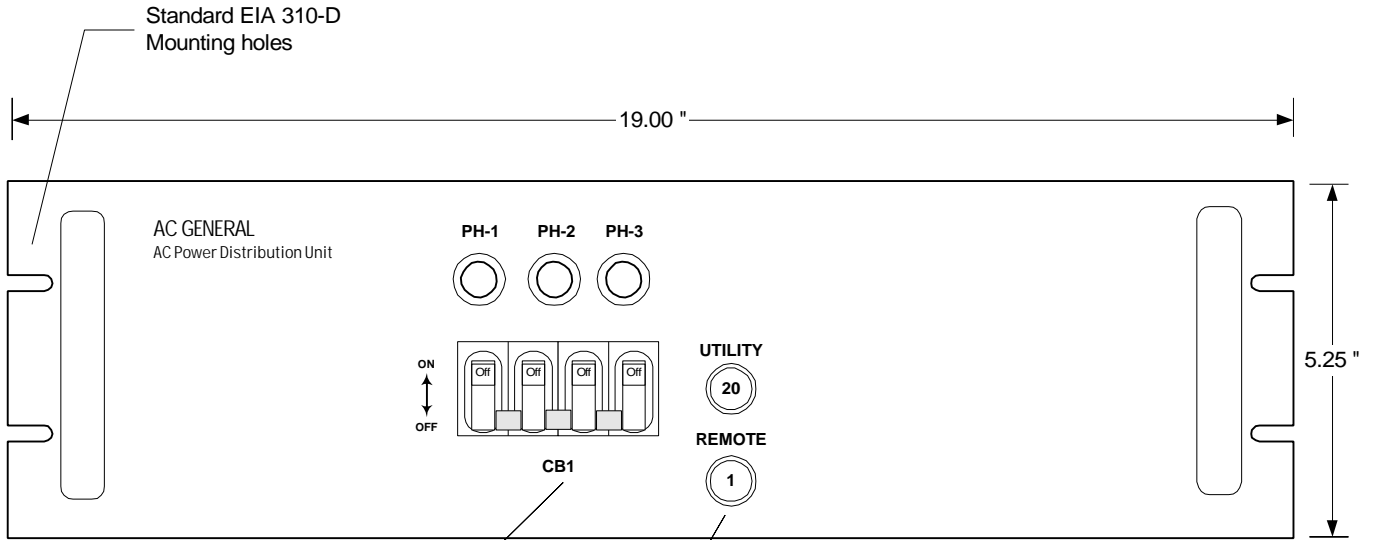


Product: Three Phase Power Distribution Panel (400 Hz)

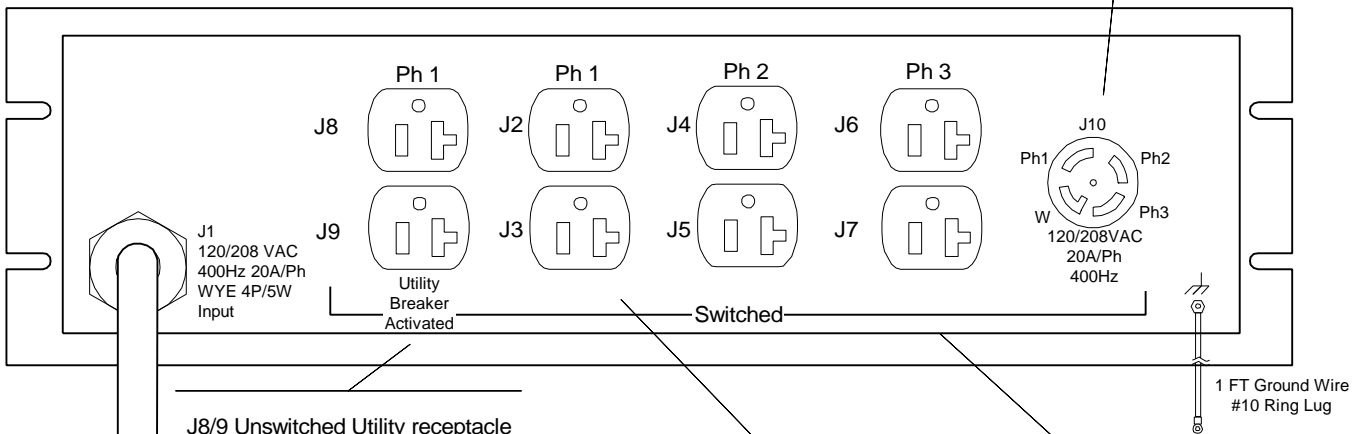
Model 300-400-20



4 pole 400Hz
Magnetic/Hydraulic
Breaker

Breaker,
Push-to-Reset
Thermal Circuit
Breaker

Twistlock Receptacle
120/208VAC @20A/Ph
Hubbell 45905
Mate: Hubbell 45915
(not provided)



J8/9 Unswitched Utility receptacle
Breaker Activated (CB1)

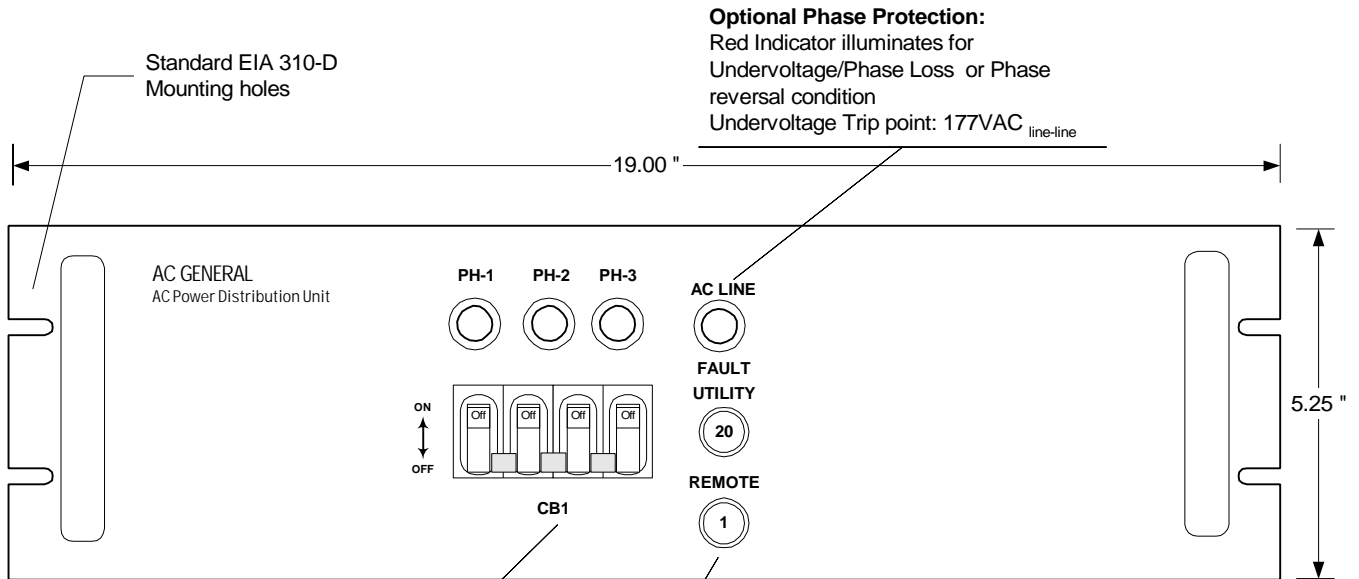
20A/125V Duplex
Receptacles NEMA 6-20R
(J2- J9)

Switched via CB1

Hubbell 45985CL Flanged Inlet
Mating Connector: Hubbell 45935
(not provided)

Chassis Depth: 11.00 in
Construction: Aluminum, Chromate coating
Front: Gray Painted
Silkscreen Labeling
FS 595 Chip #26496

Models 300-400-20R, 300-400-20R1, 300-400-20PR, 300-400-20PR1

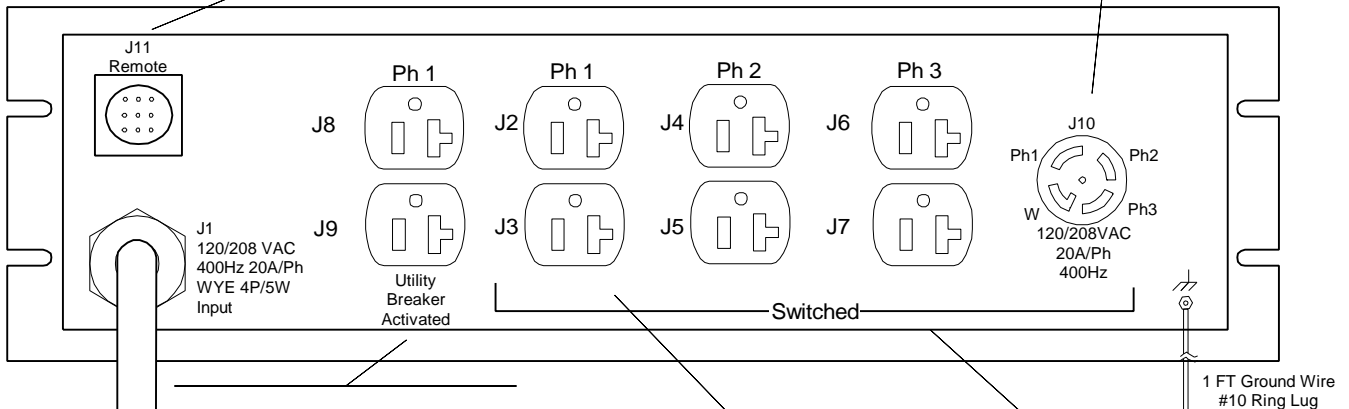


Remote On/Off Control
8 FT Cable Provided
P/N 400-012-08

4 pole 400Hz
Magnetic/Hydraulic
Breaker

Breaker,
Push-to-Reset
Thermal Circuit
Breaker

Twistlock Receptacle
120/208VAC @20A/Ph
Hubbell 45905
Mate: Hubbell 45915
(not provided)



J8/9 Unswitched Utility receptacle
Breaker Activated (CB1)

20A/125V Duplex
Receptacles NEMA 6-20R
(J2- J9)

Remote Control
Activated

Hubbell 45985CL Flanged Inlet
Mating Connector: Hubbell 45935
(not provided)

Chassis Depth: 11.00 in
Construction: Aluminum, Chromate coating
Front: Gray Painted
Silkscreen Labeling
FS 595 Chip #26496

Rev 1