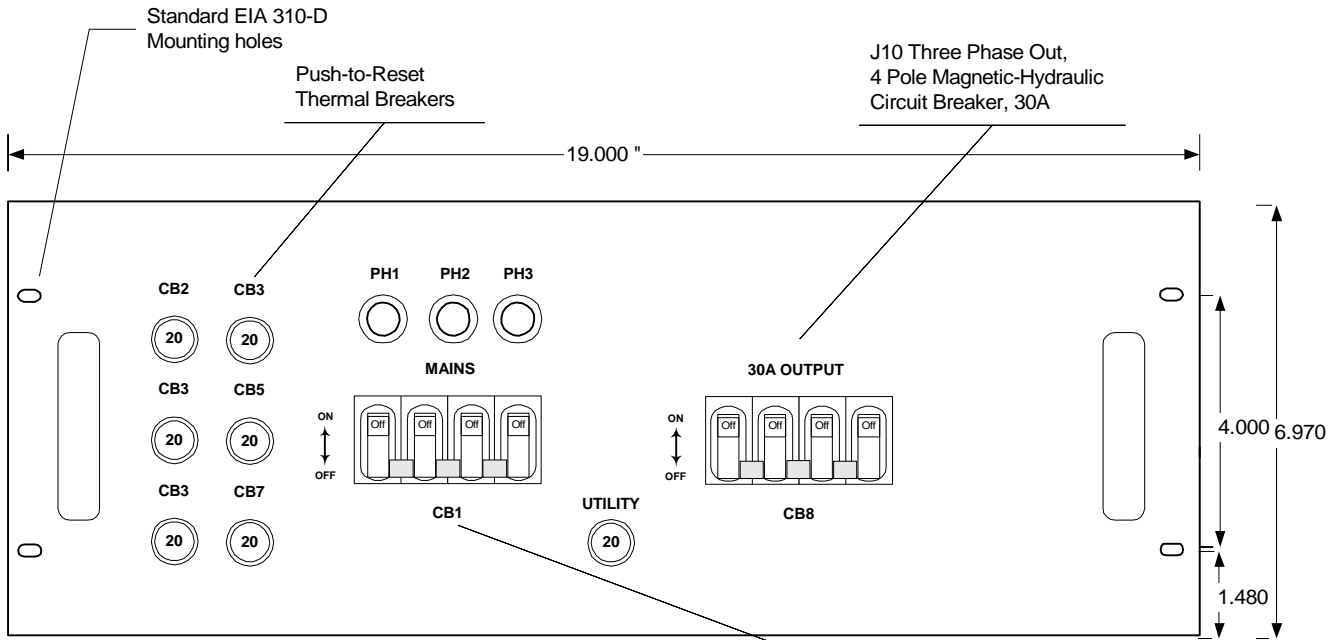


Product: 60Amp/60Hz Power Distribution

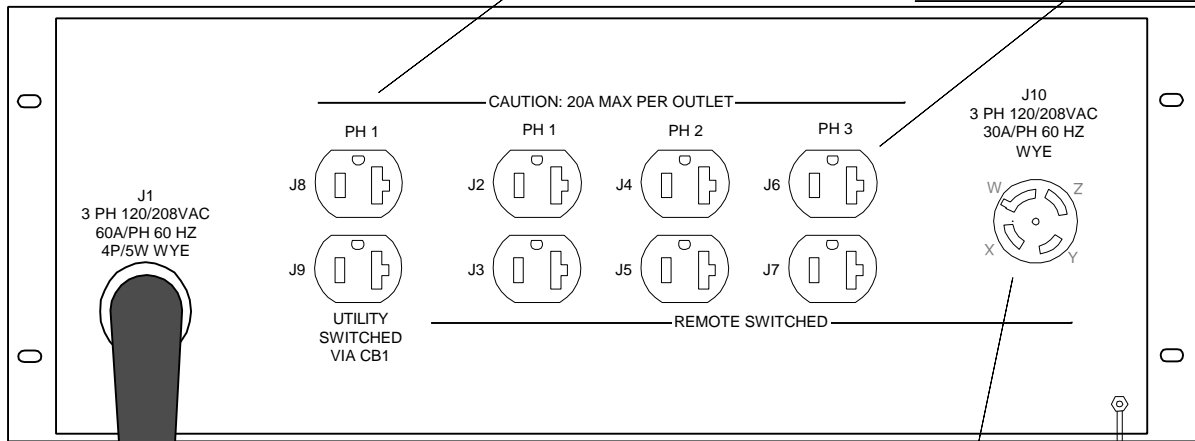
P/N 300-060-60



(2) Utility 5-20R Outlets Activated via CB1

4 Pole Magnetic-Hydraulic Circuit Breaker, 60A

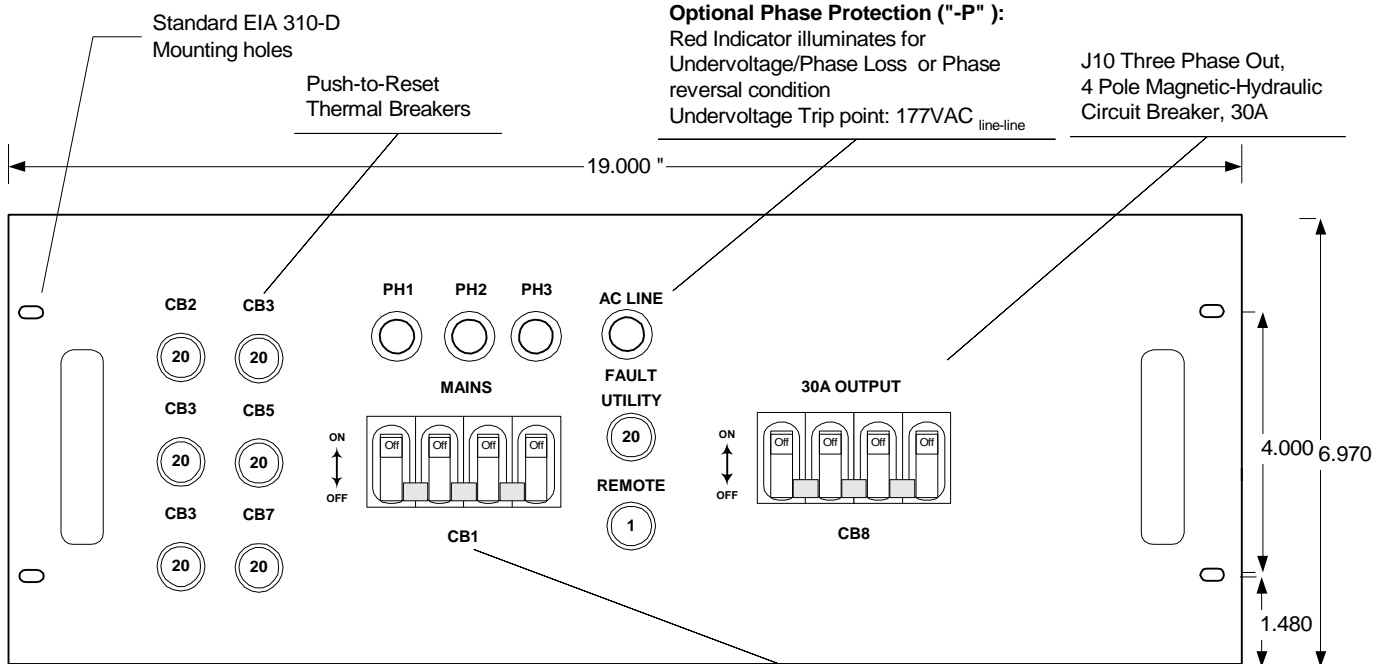
NEMA 5-20R Duplex with (1) 20A circuit breaker per outlet



Hubbell P/N 26522 Flanged Inlet
3 Ft power cord, AWG 6/5, Type SO, Kellems strain relief
Mating Conn: Hubbell 26516 (not included)

3 Phase Switched Receptacle
Hubbell 2516
Mating Conn: Hubbell 2511

P/N 300-060-60R, 300-060-60R1, 300-060-60PR, 300-060-60PR1

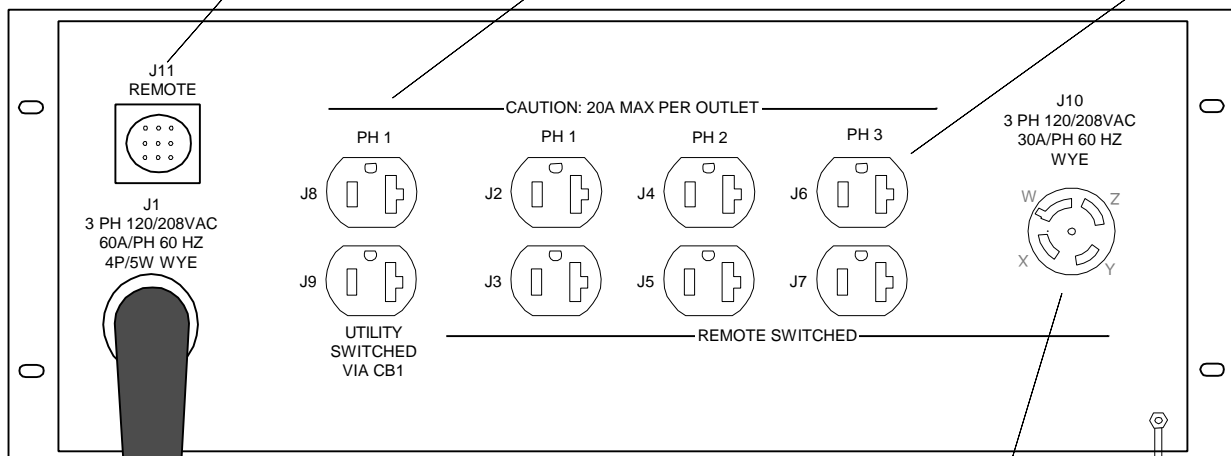


Remote On/Off, 8 Ft cable, P/N 400-012-08 included

(2) Utility 5-20R Outlets Activated via CB1

4 Pole Magnetic-Hydraulic Circuit Breaker, 60A

NEMA 5-20R Switched Duplex with (1) 20A circuit breaker per outlet



Hubbell P/N 26522 Flanged Inlet 3 Ft power cord, AWG 6/5, Type SO, Kellems strain relief Mating Conn: Hubbell 26516 (not included)

3 Phase Switched Receptacle Hubbell 2516 Mating Conn: Hubbell 2511

CIRCUIT BREAKER TABLE

CB1	Panel Mains
CB2	J2
CB3	J3
CB4	J4
CB5	J5
CB6	J6
CB7	J7
CB8	J10
UTILITY	J8-9
REMOTE	PDU Remote control circuit

Notes:

- 1) Refer to AC General specifications for *AC Remote and Emergency Control Panels* for description of “R” vs. “R1” Remote Control
- 2) Phase Monitor may be ordered with either “R” or “R1” Remote Control
- 3) A phase monitor with over-voltage protection is also available, contact AC General